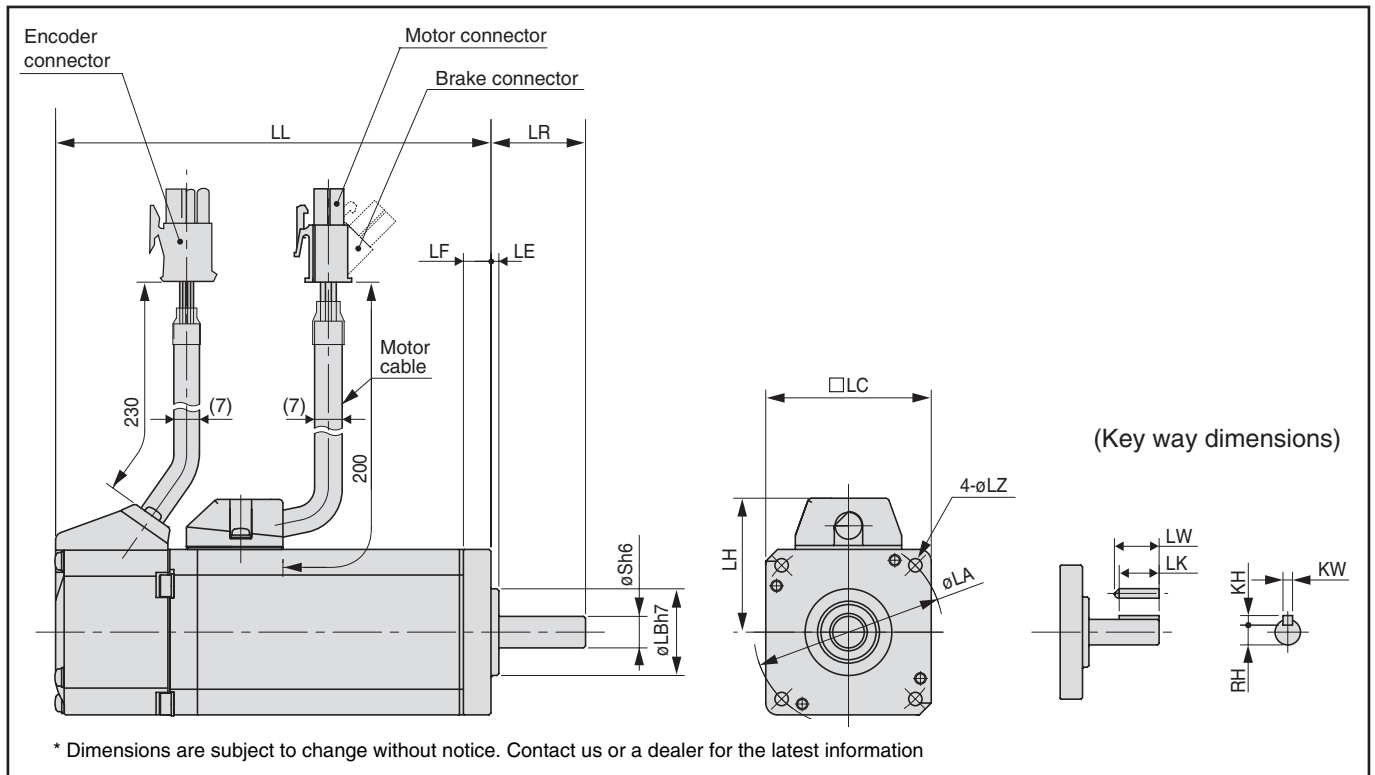


Motor Dimensions

MAMA 100W - 750W



		MAMA series (Ultra low inertia)								[unit: mm]	
Motor output		100W		200W		400W		750W			
Motor model		MAMA		012P1□	012S1□	022P1□	022S1□	042P1□	042S1□	082P1□	082S1□
Rotary encoder specifications		2500P/r Incremental	17-bit Absolute/ Incremental	2500P/r Incremental	17-bit Absolute/ Incremental	2500P/r Incremental	17-bit Absolute/ Incremental	2500P/r Incremental	17-bit Absolute/ Incremental	2500P/r Incremental	17-bit Absolute/ Incremental
LL	Without brake	110.5	127	111	126	139	154	160	175		
	With brake	138	154.5	139	154	167	182	192.5	207.5		
LR		24		30		30		35			
S		8		11		14		19			
LA		48		70		70		90			
LB		22		50		50		70			
LC		42		60		60		80			
LD		—		—		—		—			
LE		2		3		3		3			
LF		7		7		7		8			
LG		—		—		—		—			
LH		34		43		43		53			
LZ		3.4		4.5		4.5		6			
Key way	LW	14		20		25		25			
	LK	12.5		18		22.5		22			
	KW	3h9		4h9		5h9		6h9			
	KH	3		4		5		6			
	RH	6.2		8.5		11		15.5			
Mass (kg)	Without brake	0.65	0.71	1.1	1.2	1.5	1.6	3.3	3.4		
	With brake	0.85	0.91	1.5	1.6	1.9	2.0	4.0	4.1		
Connector/Plug specifications		refer to page A4-148									

<Cautions> Reduce the moment of inertia ratio if high speed response operation is required.
Read the Instruction Manual carefully and understand all precautions and remarks before using the products.