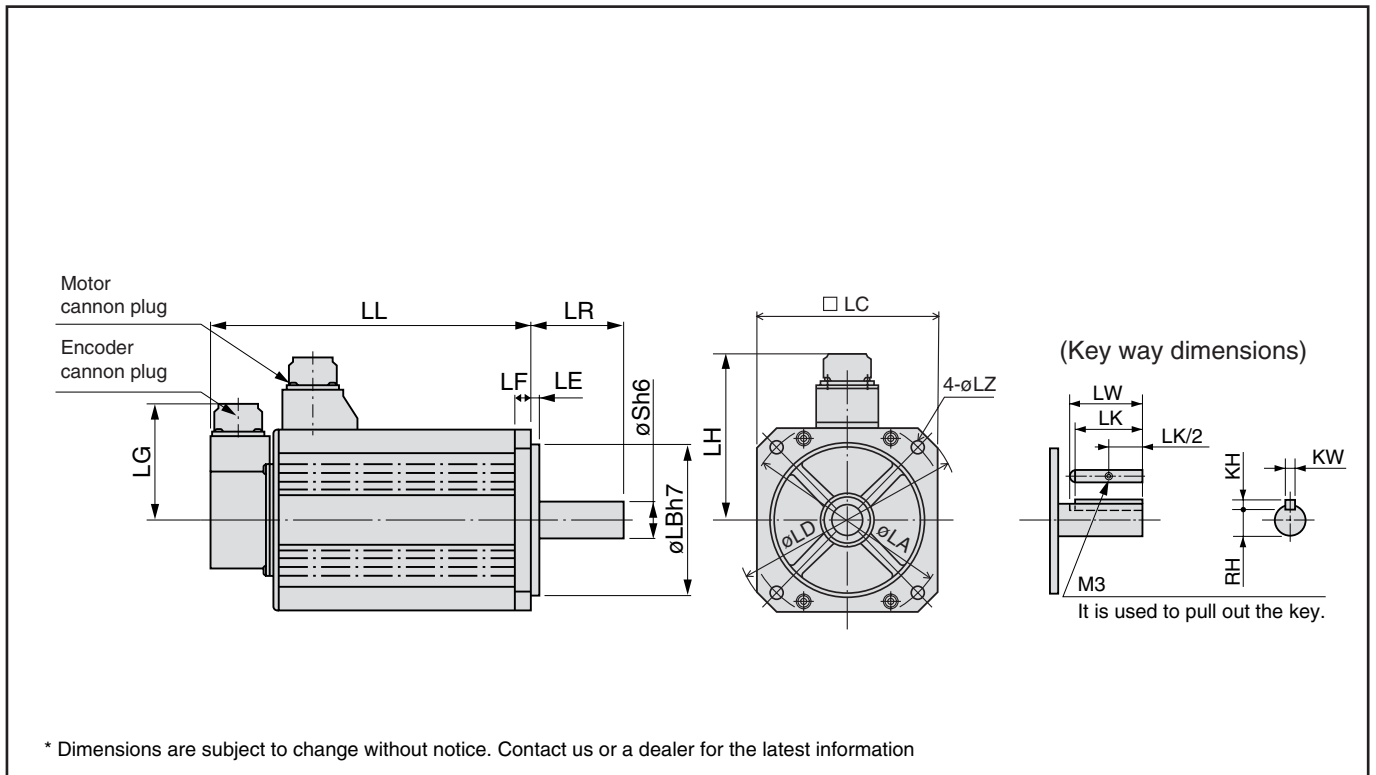


Motor Dimensions

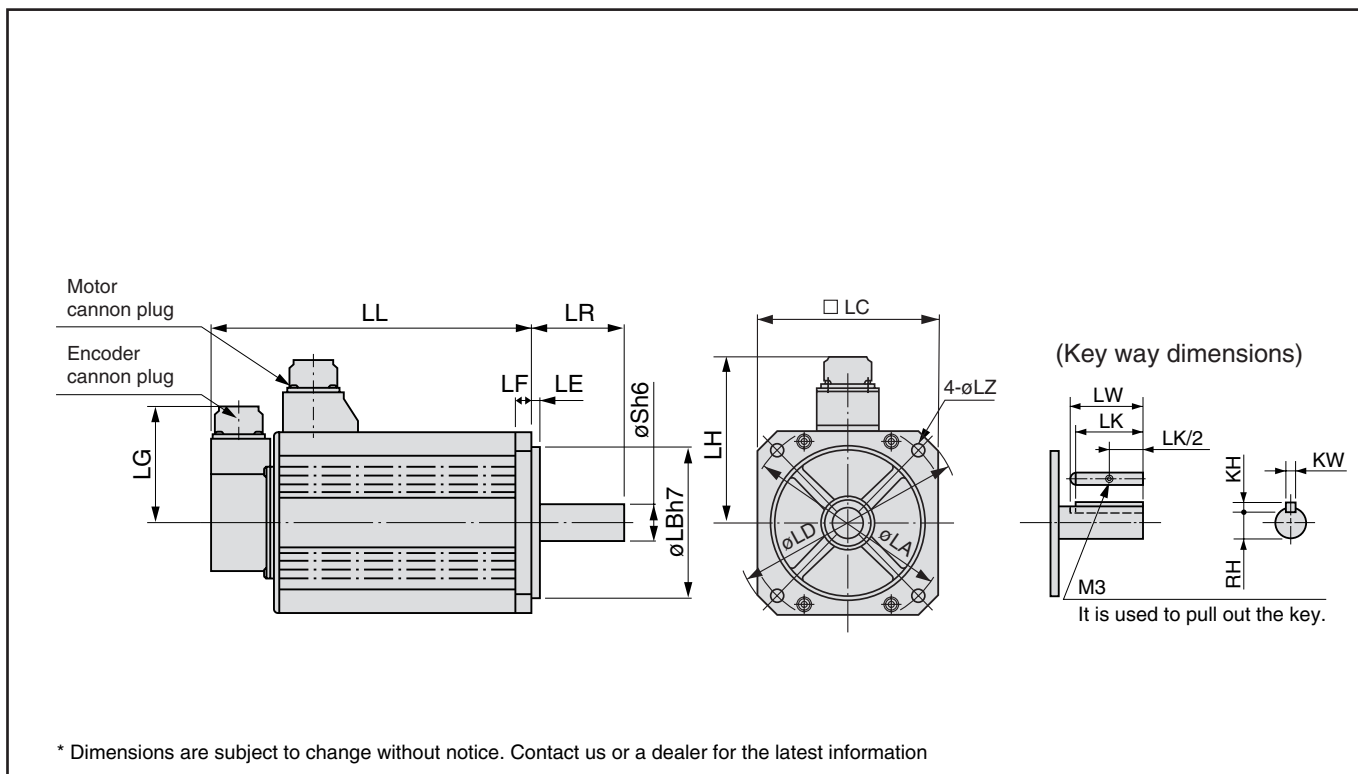
MSMA 1.0kW - 2.0kW



		MSMA series (Low inertia) [unit: mm]					
Motor output		1.0kW		1.5kW		2.0kW	
Motor model	MSMA	102P1□	102S1□	152P1□	152S1□	202P1□	202S1□
Rotary encoder specifications		2500P/r Incremental	17-bit Absolute/ Incremental	2500P/r Incremental	17-bit Absolute/ Incremental	2500P/r Incremental	17-bit Absolute/ Incremental
LL	Without brake	175	175	180	180	205	205
	With brake	200	200	205	205	230	230
LR		55		55		55	
S		19		19		19	
LA		100		115		115	
LB		80		95		95	
LC		90		100		100	
LD		120		135		135	
LE		3		3		3	
LF		7		10		10	
LG		84		84		84	
LH		98		103		103	
LZ		6.6		9		9	
Key way	LW	45		45		45	
	LK	42		42		42	
	KW	6h9		6h9		6h9	
	KH	6		6		6	
	RH	15.5		15.5		15.5	
Mass (kg)	Without brake	4.5	4.5	5.1	5.1	6.5	6.5
	With brake	5.1	5.1	6.5	6.5	7.9	7.9
Connector/Plug specifications		refer to page A4-142					

<Cautions> Reduce the moment of inertia ratio if high speed response operation is required.
Read the Instruction Manual carefully and understand all precautions and remarks before using the products.

MSMA 3.0kW - 5.0kW



		MSMA series (Low inertia) [unit: mm]							
Motor output		3.0kW		4.0kW		5.0kW			
Motor model		MSMA		302P1□	302S1□	402P1□	402S1□	502P1□	502S1□
Rotary encoder specifications		2500P/r Incremental	17-bit Absolute/ Incremental	2500P/r Incremental	17-bit Absolute/ Incremental	2500P/r Incremental	17-bit Absolute/ Incremental	2500P/r Incremental	17-bit Absolute/ Incremental
LL	Without brake	217	217	240	240	280	280		
	With brake	242	242	265	265	305	305		
LR		55		65		65			
S		22		24		24			
LA		130/145 (slot)		145		145			
LB		110		110		110			
LC		120		130		130			
LD		162		165		165			
LE		3		6		6			
LF		12		12		12			
LG		84		84		84			
LH		111		118		118			
LZ		9		9		9			
Key way	LW	45		55		55			
	LK	41		51		51			
	KW	8h9		8h9		8h9			
	KH	7		7		7			
	RH	18		20		20			
Mass (kg)	Without brake	9.3	9.3	12.9	12.9	17.3	17.3		
	With brake	11.0	11.0	14.8	14.8	19.2	19.2		
Connector/Plug specifications		refer to page A4-142							

<Cautions> Reduce the moment of inertia ratio if high speed response operation is required.
Read the Instruction Manual carefully and understand all precautions and remarks before using the products.