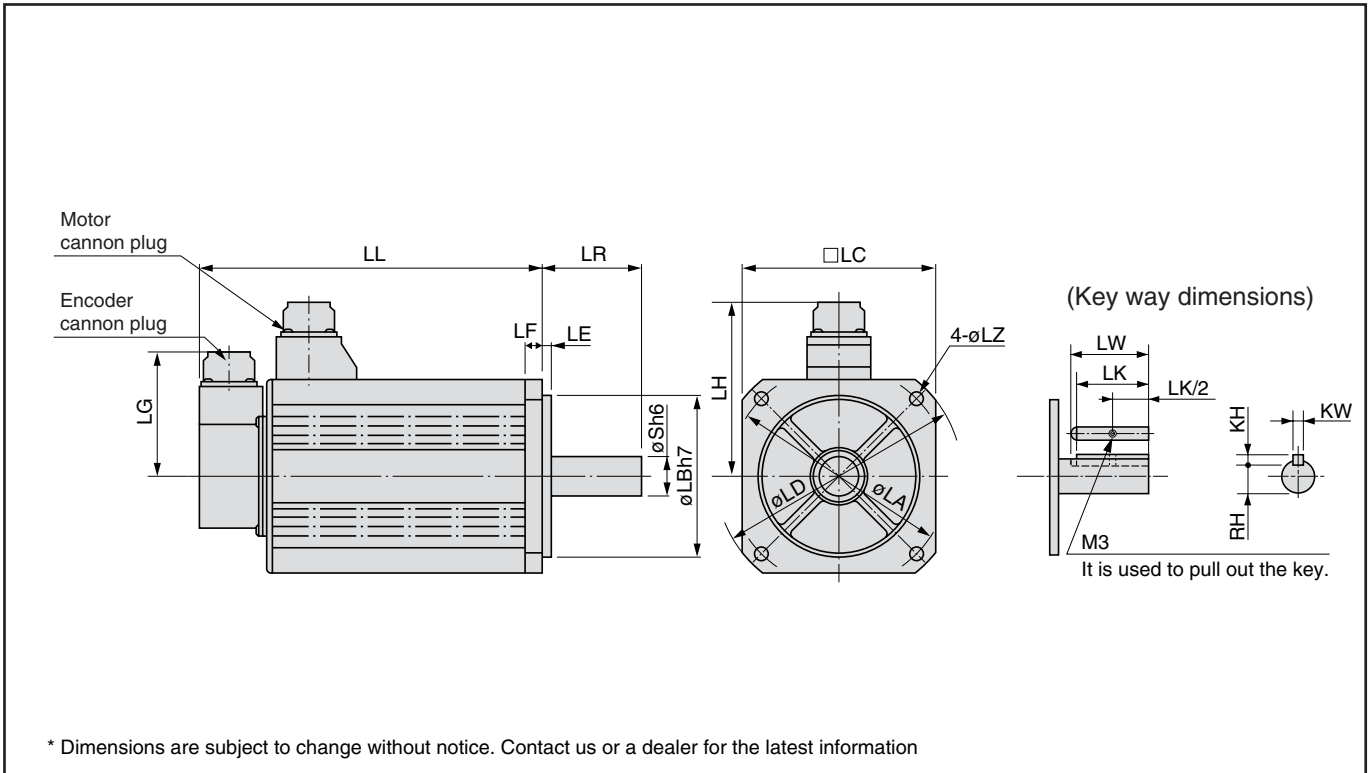


# Motor Dimensions

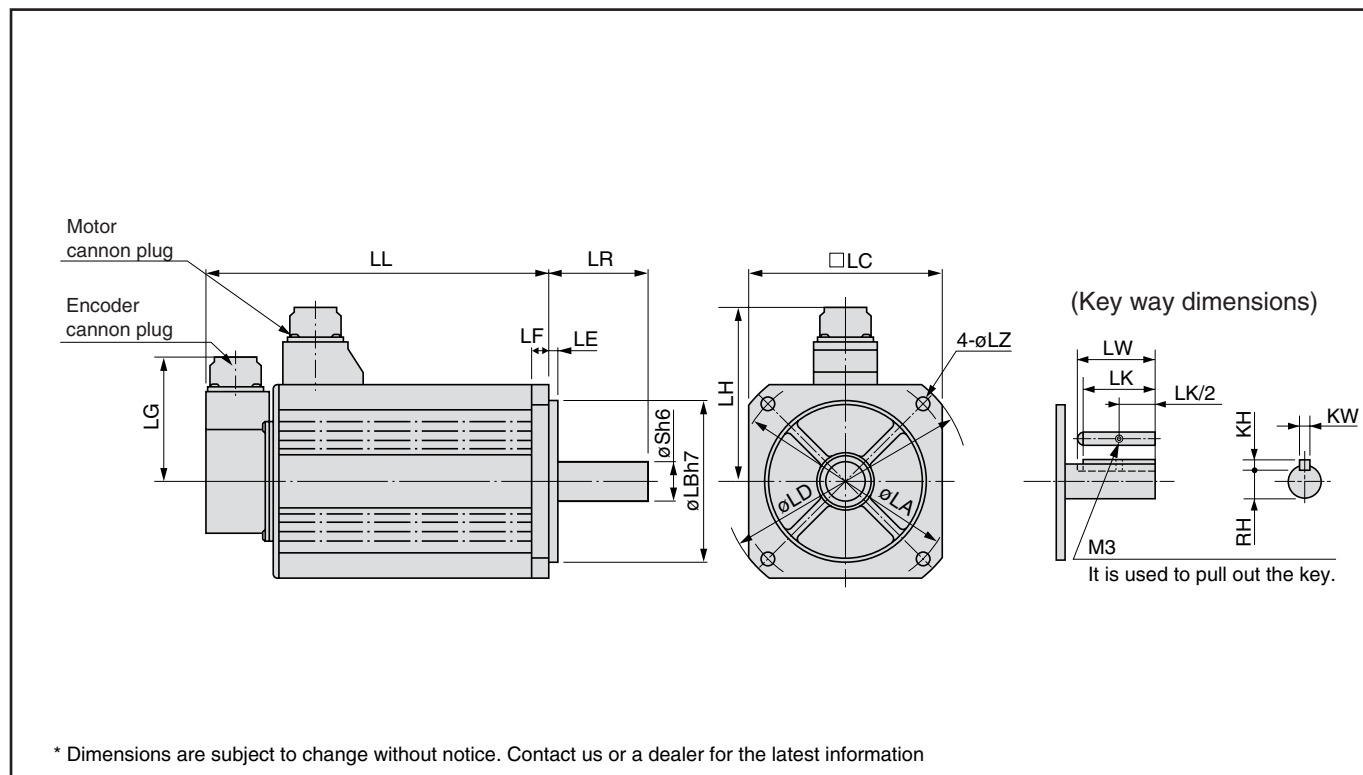
## MDMA 1.0kW - 1.5kW



		MDMA series (Middle inertia) <span style="float: right;">[unit: mm]</span>			
Motor output		1.0kW		1.5kW	
Motor model		MDMA 102P1□	MDMA 102S1□	MDMA 152P1□	MDMA 152S1□
Rotary encoder specifications		2500P/r Incremental	17-bit Absolute/ Incremental	2500P/r Incremental	17-bit Absolute/ Incremental
LL	Without brake	150	150	175	175
	With brake	175	175	200	200
LR		55		55	
S		22		22	
LA		145		145	
LB		110		110	
LC		130		130	
LD		165		165	
LE		6		6	
LF		12		12	
LG		84		84	
LH		118		118	
LZ		9		9	
Key way	LW	45		45	
	LK	41		41	
	KW	8h9		8h9	
	KH	7		7	
	RH	18		18	
Mass (kg)	Without brake	6.8	6.8	8.5	8.5
	With brake	8.7	8.7	10.1	10.1
Connector/Plug specifications		refer to page A4-142			

**<Cautions>** Reduce the moment of inertia ratio if high speed response operation is required.  
Read the Instruction Manual carefully and understand all precautions and remarks before using the products.

# MDMA 2.0kW - 3.0kW

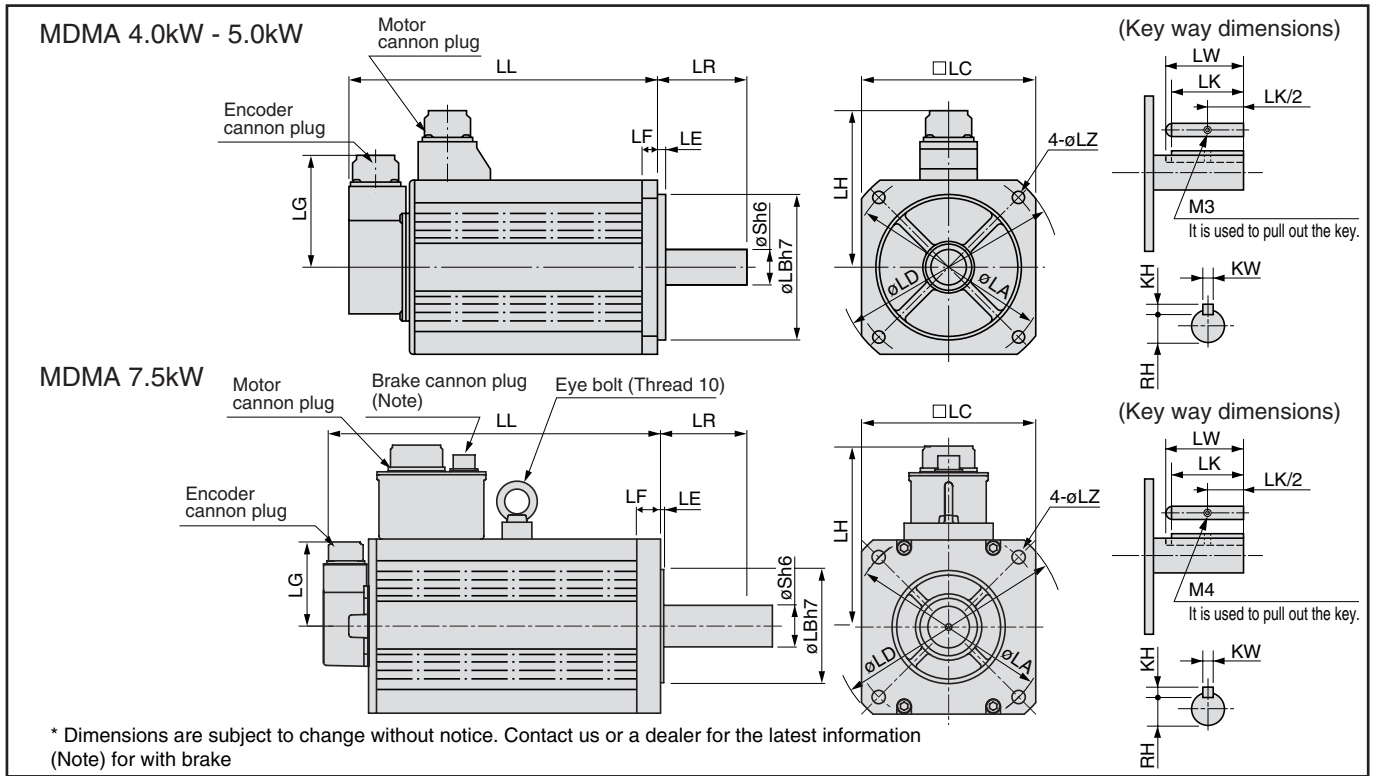


		MDMA series (Middle inertia) [unit: mm]			
Motor output		2.0kW		3.0kW	
Motor model		MDMA 202P1□	MDMA 202S1□	MDMA 302P1□	MDMA 302S1□
Rotary encoder specifications		2500P/r Incremental	17-bit Absolute/ Incremental	2500P/r Incremental	17-bit Absolute/ Incremental
LL	Without brake	200	200	250	250
	With brake	225	225	275	275
LR		55		65	
S		22		24	
LA		145		145	
LB		110		110	
LC		130		130	
LD		165		165	
LE		6		6	
LF		12		12	
LG		84		84	
LH		118		118	
LZ		9		9	
Key way	LW	45		55	
	LK	41		51	
	KW	8h9		8h9	
	KH	7		7	
	RH	18		20	
Mass (kg)	Without brake	10.6	10.6	14.6	14.6
	With brake	12.5	12.5	16.5	16.5
Connector/Plug specifications		refer to page A4-142			

<Cautions> Reduce the moment of inertia ratio if high speed response operation is required.  
Read the Instruction Manual carefully and understand all precautions and remarks before using the products.

# Motor Dimensions

## MDMA 4.0kW - 7.5kW



		MDMA series (Middle inertia) [unit: mm]					
Motor output		4.0kW		5.0kW		7.5kW	
Motor model	MDMA	402P1□	402S1□	502P1□	502S1□	752P1□	752S1□
Rotary encoder specifications		2500P/r Incremental	17-bit Absolute/ Incremental	2500P/r Incremental	17-bit Absolute/ Incremental	2500P/r Incremental	17-bit Absolute/ Incremental
LL	Without brake	242	242	225	225	340.5	340.5
	With brake	267	267	250	250	380.5	380.5
LR		65		70		113	
S		28		35		42	
LA		165		200		200	
LB		130		114.3		114.3	
LC		150		176		176	
LD		190		233		233	
LE		3.2		3.2		3.2	
LF		18		18		24	
LG		84		84		84	
LH		128		143		183	
LZ		11		13.5		13.5	
Key way	LW	55		55		96	
	LK	51		50		90	
	KW	8h9		10h9		12h9	
	KH	7		8		8	
	RH	24		30		37	
Mass (kg)	Without brake	18.8	18.8	25.0	25.0	41.0	41.0
	With brake	21.3	21.3	28.5	28.5	45.0	45.0
Connector/Plug specifications		refer to page A4-142					

<Cautions> Reduce the moment of inertia ratio if high speed response operation is required.  
Read the Instruction Manual carefully and understand all precautions and remarks before using the products.